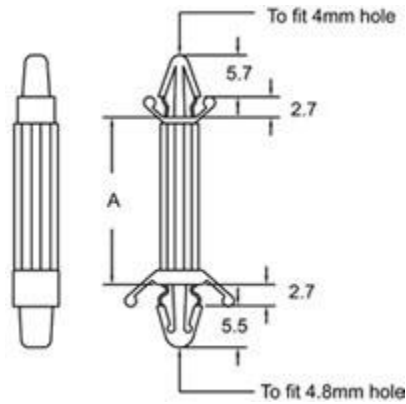


CIRCUIT BOARD SUPPORT



Material: UL approved Nylon 66, 94V-2
by hand to support P.C.B. Can be removed for replacement easily.



Item No.	A
CS-0610	9.6(3/8")
CS-0813	12.7(1/2")
CS-1016	15.9(5/8")
CS-1219	19.1(3/4")