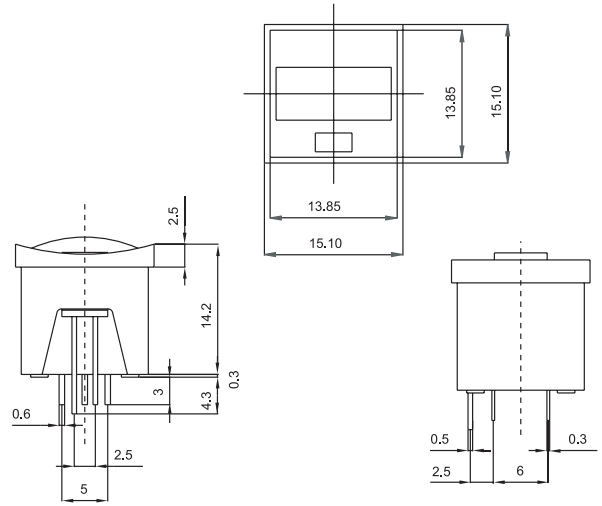




P2 SERIES

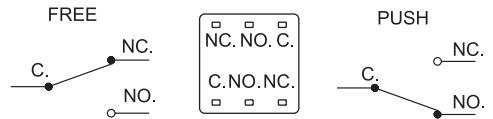
DIMENSIONS (Unless otherwise specified, a tolerance of ± 0.4 mm applies to all dimensions.)



SPECIFICATIONS

Insulation Resistance (at 500VDC/minute).....Min. 100M Ω
 Storage Temperature Range..... -25°C to 65°C
 Storage Humidity.....at 40°C, Max. 85% R.H
 Electrical Service Life.....Min. 10,000 operations
 Electrical Operating Frequency.....10 operations per minute
 Mechanical Service Life.....Min. 100,000 operations
 Mechanical Operating Frequency.....30 operations per minute
 Travel.....Pre travel Max.1.5mm, Total travel 2.5 \pm 0.5mm

CONTACT CONFIGURATION



RATING

0.1A 30 VDC

APPLICATION

Computer, Alarm, Coin-op phone, Auto garage door

ORDERING INFORMATION

